

2400T Series Metering Pumps / Grease Trap Dispensers are capable of dispensing low volumes of chemicals, detergents, liquid enzymes, fragrances and bio-chemicals. They are programmable for use in difficult drain/grease cleaning situations.

The 2400T-DC is battery powered for added safety and convenience. The pump is designed for extended battery life and runs on easy-to-install, economical D-size batteries, (Batteries not included), with a visual, low battery indicator built in. 2400T and 2400T Plus gearmotors are also available for 240V 60Hz operation.

The pump case on the 2400T and 2400T Plus is molded of a rugged chemical resistant ABS, while the 2400T-DC is enclosed inside this case. An available option for the 2400T Plus is a lockable latch cover. Mounting pads and a built-in wall mounting bracket allow choice of flat surface or wall mounted installation.

The 2400T features a 24-hour day timer which provides 96 settings in 15 minute increments. The 2400T Plus and 2400T-DC feature a quartz driven time switch with large LCD display showing time, day, switching programs, and program status with a manual override provided. Timer has 8 on/off settings per day, available for daily or weekly programming and can be programmed down to one-minute increments. A lithium battery provides minimum 5-year backup.

Optional tubing materials are available for special chemical applications and higher outputs.

Features

- Engineered to dispense low volumes of chemical.
- Programmable
- Prime push button for quick start-up.
- Clear polycarbonate, acid-resistant head.

Controls



- On/Off Switch
- 2400T- 24 hour mechanical timer
- 2400T PLUS & DC- 7 day, 8 event programmable timer



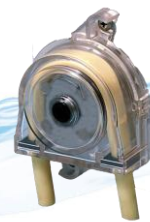
Operating Benefits

- Quick-release twist off head.
- Self-lubricating chemical resistant roller assembly.
- Durable, long-lasting tubing with no tube adjustment.
- Impedance protected gearmotor is safe, quiet and dependable.
- Metal gearing parts are heat treated and output shaft supported by heavy duty bearings.



Aftermarket

- KOPkits
- Gauges
- Dampeners
- Pressure Relief Valves
- Tanks
- Pre-Engineered Systems
- Process Controllers (PULSAblue, MicroVision)



MEC-O-MATIC 2400T Series

Specifications and Model Selection

MODEL	2400T	2400T DC	2400T Plus
Timer	Mechanical	Programmable Microprocessor	Programmable Microprocessor
Nominal Feed Rate	24 hrs.	2.5 gal	2.5 gal
	1 hr.	13.2 oz	13.2 oz
	15 min.	3.3 z	3.3 oz
	1 min.	N/A	3.0 oz .22 oz
Pressure (max.)	PSIG	25	
	BAR	1.72	
Connections	Tubing .31" O.D. x .125" I.D.	.44" O.D. x .25" I.D.	.31" O.D. x .125" I.D.

Engineering Data

Pump Head Materials: Chemical Resistant Resin

**Pump Head Tubing:
2400T & 2400T Plus**

Viton
Silicone
Norprene

2400T-DC

**Injection Fitting
(standard w/check vlv):**

PVC

Strainer:

FPP

Tubing:

PE

Pump Housing:

Chemical Resistant Resin

Important: Material Code - PVC=Polyvinyl Chloride, PE=Polyethylene.

Power Input:

**2400T & 2400T Plus
2400T-DC**

115 V 60 HZ
12 V DC

Max Ambient Temperature:

104°F (40°C)

Shipping Weight:

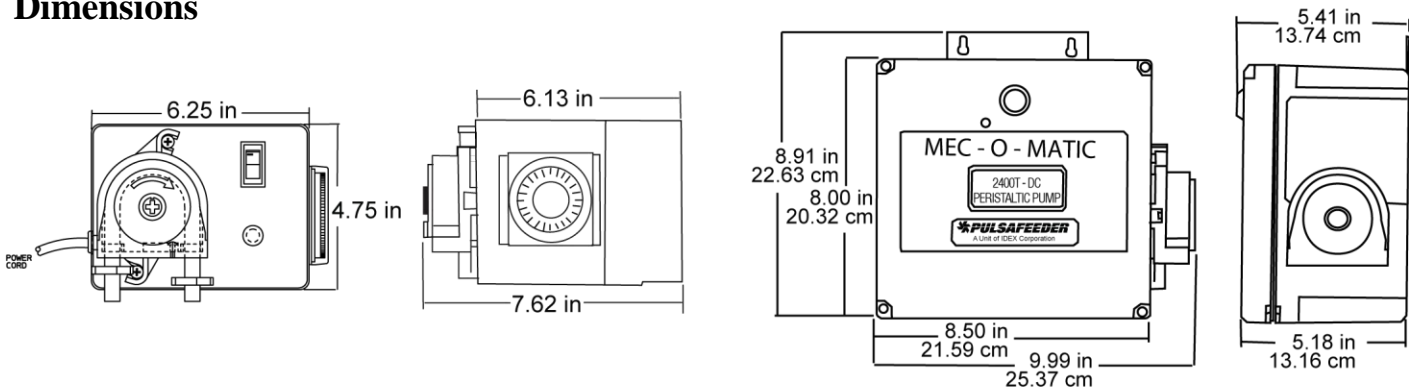
**2400T & 2400T Plus
2400T-DC**

7 lbs
7.5 lbs

Typical Installation



Dimensions



pulsafeeder.com



27101 Airport Rd
Punta Gorda, FL 33982
Phone: ++1(941) 575-3800
Fax: ++1(941) 575-4085

An ISO 9001 and ISO 14001 Certified Company



MOM005 G11